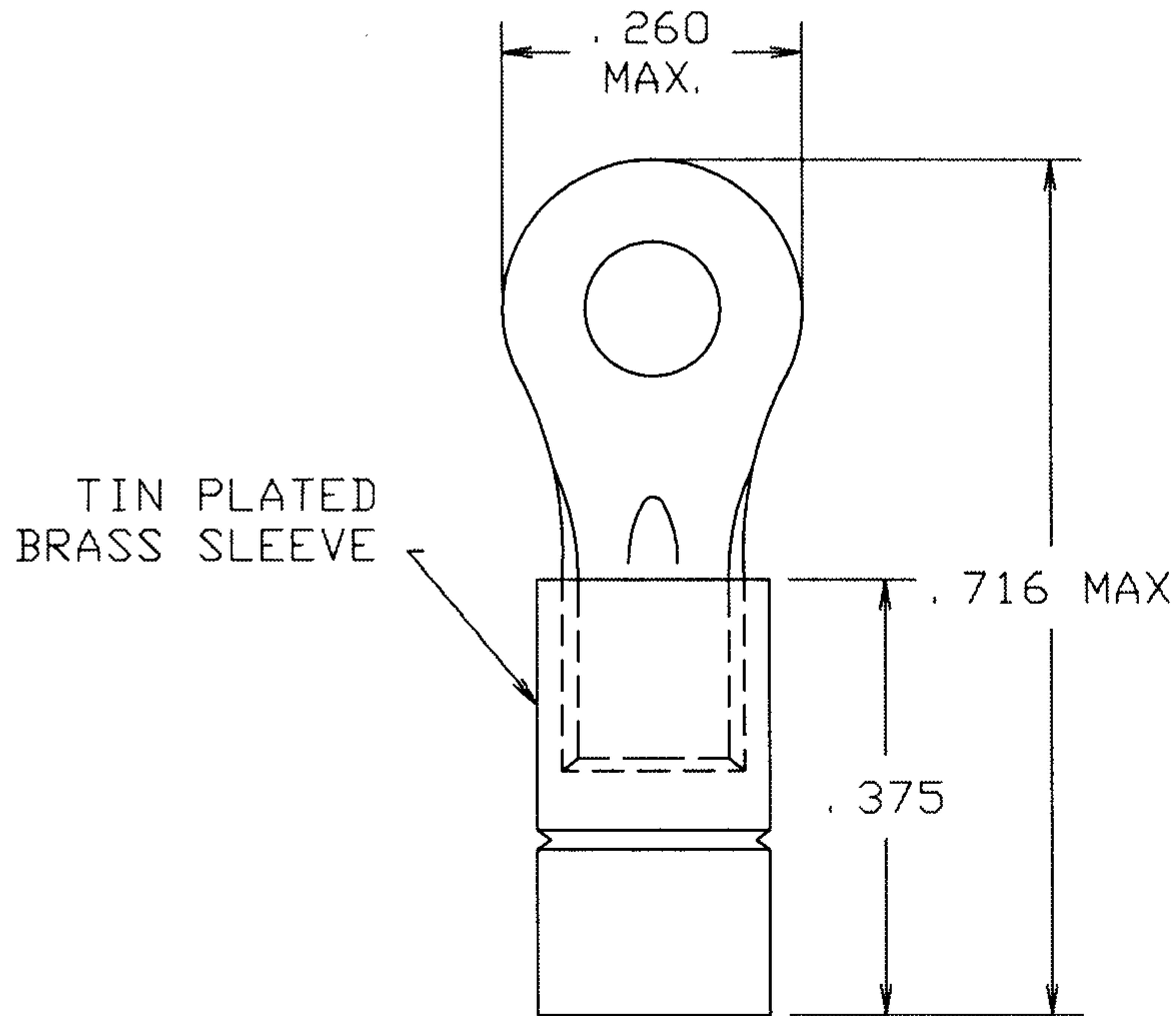


DATE	SYM	REVISION RECORD	AUTH.	DR.	CK.
1/19/06	-	ISSUED	Q	NT	Q



MATERIAL: TERMINAL- COPPER .032"MAX. THICKNESS

SLEEVE- TIN PLATED BRASS

WIRE RANGE: 16-14

STUD SIZE: 3-4 (2,6)

TOLERANCES (EXCEPT AS NOTED)	CONCORD		ELECTRONICS CORPORATION
DECIMAL + - .010	P/N	SCALE	30 GREAT JONES ST. NEW YORK N. Y. 10012
FRACTIONAL + -	TITLE RING TONGUE TERMINAL		
ANGULAR + -	DATE 1/19/06	DRAWING NUMBER 701-1858	